

Technical Customer Information

Stabilo Seal® in Reel Carrier

Dear customer,

An innovative and visually appealing packaging shape attracts people's attention at the Point of Sale and supports the sale of your product. The Stabilo Seal® bag has established itself in the market as the premium packaging.

ROVEMA now offers you a retrofit kit with which you can equip the reel carrier in your **continuous** form, fill and seal machine with the Stabilo Seal® system. In contrast to Stabilo Seal® at the tube, a heightening of the machine is not necessary, therefore especially fragile products can still be filled in a gentle way due to an unchanged drop height of the product. Moreover, the attractive Stabilo Seal® bag shape can be realized on your machine maintaining the bag cross section as well as the round forming set.

Stabilo Seal® in the reel carrier offers you:

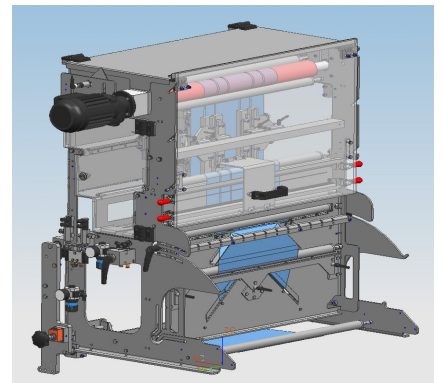
- Stabilo Seal® system integrated into the reel carrier, i.e. heightening of the machine is not required
- ideal system for fragile products due to an unchanged drop height of the product
- unchanged bag cross section
- optimal cross section of the filling tube since the round forming set will be maintained
- innovative and attractive packaging shape

The retrofit kit consists of:

- support module Stabilo Seal® incl. forming and sealing tools
- electrical parts with connections and accessories
- forming parts
- software adaptation

Basic prerequisites for your machine:

- realization possible only at form, fill and seal machines with **continuous** operating mode (e.g. VPK, VPL, VPS)
- machine has to be equipped with ROVEMA ISA PC or P@ck-Control control



Stabilo Seal® reel carrier unit



machine with Stabilo Seal® reel carrier unit

The technical feasibility and the content of the retrofit kit depend on the current execution of the machine. Therefore we will gladly check, especially for your machine, the required content of the retrofit kit as well as time and effort for an installation and commissioning on site by our service technicians.

For more information about Stabilo Seal® in the reel carrier as well as prices and delivery times or in case of further questions regarding your ROVEMA packaging machine your contact persons at ROVEMA Service are always at your disposal.

Your ROVEMA Service Team