

Comfort Angle Film Feed Adjustment Unit

Dear customer,

For an optimal transition of the film into the forming shoulder without creases and cracks the correct feeding angle of the film is important. This applies especially to demanding films. However, the fine tuning after format changes consumes time and labor due to limited access to the adjusting points at the machine.

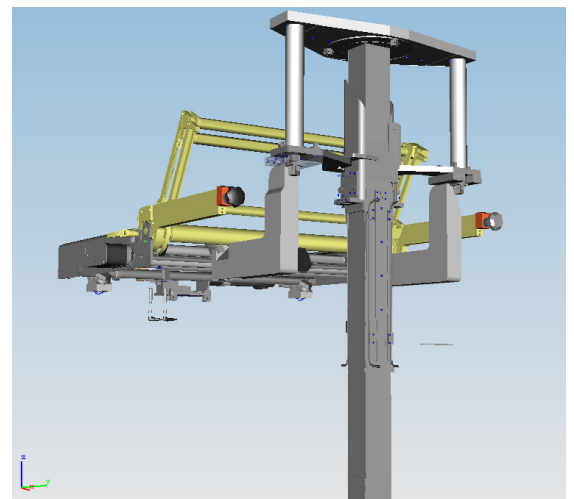
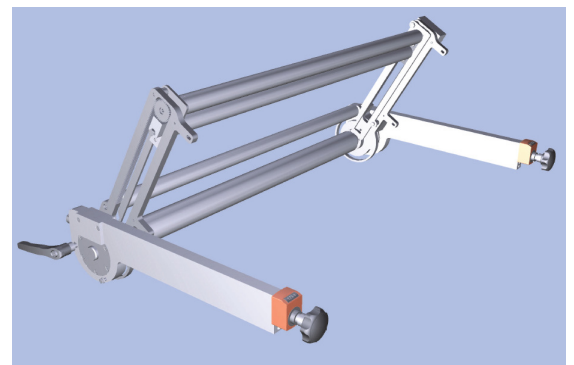
With the comfort angle film feed adjustment unit, format changes and required fine tuning can be carried out much easier and faster. The adjusting wheels with gauges for the roller position and the inclination angle stick out, are therefore easily accessible and enable the reproducible adjustment of the unit in no time at all.

The comfort angle film feed adjustment unit offers you:

- considerable reduction of set-up times
- high reproducibility
- higher process reliability
- more technical flexibility
- well readable setting values
- always exact positioning of the film feed

The retrofit kit „comfort angle film feed adjustment unit“ consists of:

- angle film feed adjustment unit with pulleys
- adjusting device for inclination angle
- adjusting device for roller position
- adjusting wheel with gauge
- mounting material
- operating manual



view angle film feed adjustment unit in form, fill and seal machine

We will gladly issue an offer for installation and commissioning on site (duration approx. 1 day plus travel time) at your ROVEMA machine. The retrofit is possible for all form, fill and seal machines type VPS, VPL, VPK and VPI (even if integrated into SBS or CMV machines). The possibility of a retrofit for other machine types will be checked on request.

For more information about the comfort angle film feed adjustment unit as well as prices and delivery times or in case of questions regarding your ROVEMA packaging machine your contact persons at ROVEMA Service are always at your disposal.

Your ROVEMA Service Team