

BVC 145 TwinTube – CONTINUOUS MOTION FORM FILL AND SEAL MACHINE

*High-Speed
packing
of sweets
and snacks*

2 filling tubes
for double
output



COMPACT FORM FILL AND SEAL MACHINE WITH DOUBLE FILLING TUBE FOR SWEETS AND SNACKS

The highlights

- All-round high speed machine for efficient packing of bulk products
- Pneumatic film spindle with servo motor pre-film unwinding driven sidewise
- Infeed of packaging materials from a single film spindle, subsequent separation into two flat film webs
- Reel carrier completely open on both sides, optimal access for cleaning, maintenance or adjustment work
- Automatic edge control for repeatable format change-over and high quality of longitudinal seam
- Electronic product detection for protection of sealing jaws independent for both lines, automatic discharge of defective bags without production downtime
- Best access from all sides since control technology is fully integrated in machine housing (no separate control cabinet)
- Swivelling double protection doors allow optimal access to machine's working area
- Wear-free drive technology with servo drives

ROVEMA

Passion for packaging

BVC 145 TwinTube – PACKAGING OF SWEETS AND SNACKS

Advantages:

- Compact and space-saving design for efficient use of production areas
- Low construction height, suitable for production facilities with low ceiling heights
- High output rate to reduce costs per bag
- Best access to all components, increased machine availability

Optional:

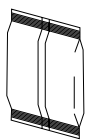
- Infeed of packaging material with two separate film spindles
- Labeler and printer fully integrated into reel carrier
- Verification of BBD (best before date) print through integrated image recognition system
- Product gassing for longer shelf life
- Fully integrated metal recognition system with extractable mounting, integrated before bag production
- Personalized login of operators with RFID reader
- Synchronization with common dosage aggregates, e.g. multihead weighers

Technical data

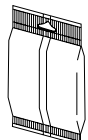
BVC 145 TwinTube – Continuous motion vertical form fill and seal machine with double filling tube

Bag width	50–145 mm
Bag length	80–220 mm (optional: 320 mm)
Nominal output	up to 500 B/min.

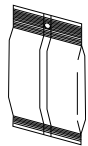
Subject to technical changes. Performance data depending on product and packaging material.



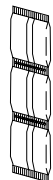
Pillow bag



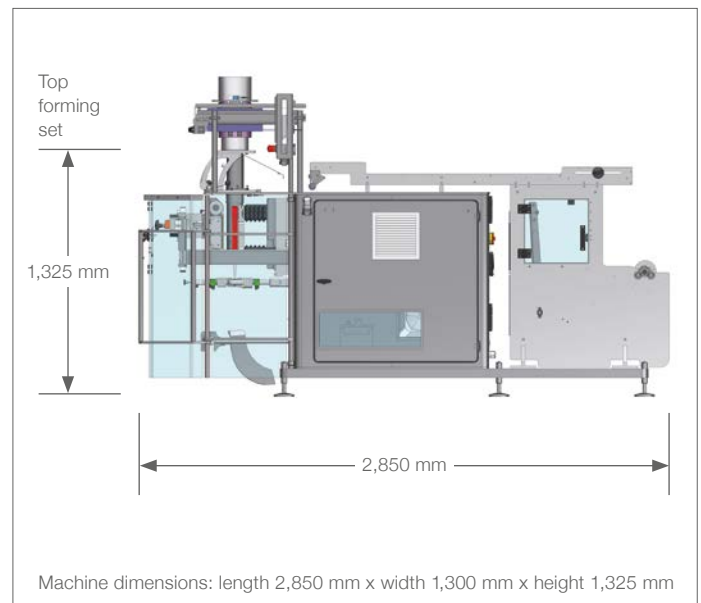
Pillow bag with Eurohole
(optional)



Pillow bag with round hole
(optional)



Chain bag
(optional)



ROVEMA GmbH
35463 Fernwald
info@rovema.de

ROVEMA Retrofit
35463 Fernwald
info@rovema-retrofit.de

ROVEMA France SAS
93360 Neuilly-Plaisance
info@rovema.fr

ROVEMA Benelux bv
4902 TT Oosterhout
sales@rovema.nl

www.rovema.com

ROVEMA Italia s.r.l.
20026 Novate Milanese (MI)
info@rovema-italia.it

ROVEMA Packaging
Machines Ltd
Gatehouse Close/Aylesbury
sales@rovema.co.uk

ROVEMA Spain and Portugal S.L.
08208 Sabadell/Barcelona
rovema@rovema.es

Sales partners and service centers worldwide

ROVEMA Makine San. Ve Tic. A.S.
34870 Kartal/Istanbul
info@rovema.com.tr

OOO ROVEMA
196247 St. Petersburg, Russia
info@rovema.ru

ROVEMA POLSKA Sp. z o.o.
02-672 Warszawa
rovema@rovema.pl

ROVEMA North America Inc.
Norcross, GA 30093
info@rovema-na.com

ROVEMA Latinoamérica S.A.
Panama City
rlainfo@rovema.com

ROVEMA Asia Pacific
Corporation
Makati City/Philippines
richard.carls@rovema.de

ROVEMA
Passion for packaging